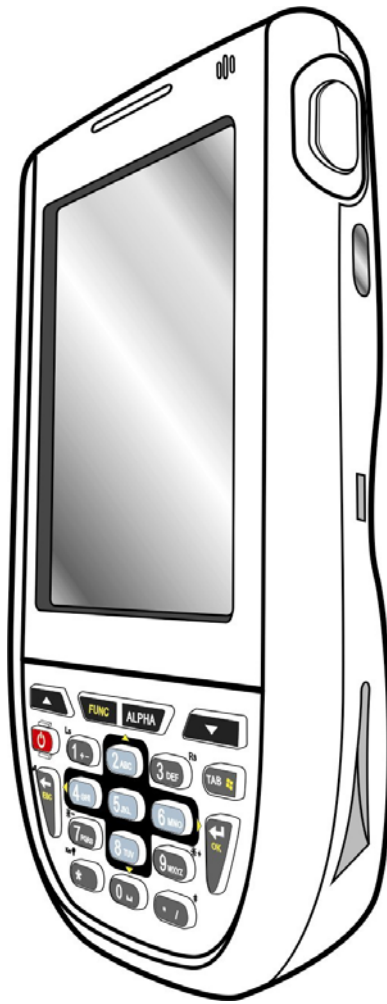


WPA 1200 II

Quick Start Guide



Front Left View



- | | |
|---------------------------|--------------------------------------|
| 1 Status indicator | 5 Keypad |
| 2 Speaker | 6 Universal connector |
| 3 Power button | 7 LCD Touch screen |
| 4 Microphone | 8 Left scanner trigger button |

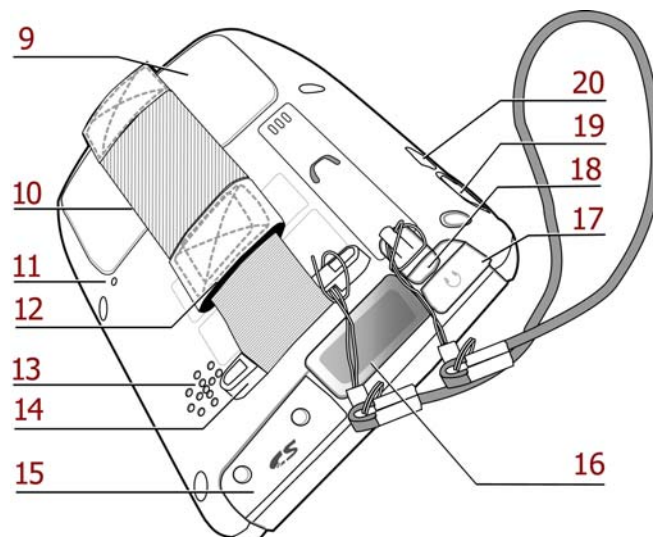
Turning ON the WPA 1200 II for the First Time

After you have initially charged your device for about 12 hours, the device is ready to be used. You can now start up your device where you'll calibrate the display, learn some basic stylus usage, and set up the system time zone, date and time.

Power ON Button

Turn on your device by pressing the power button on the front panel.

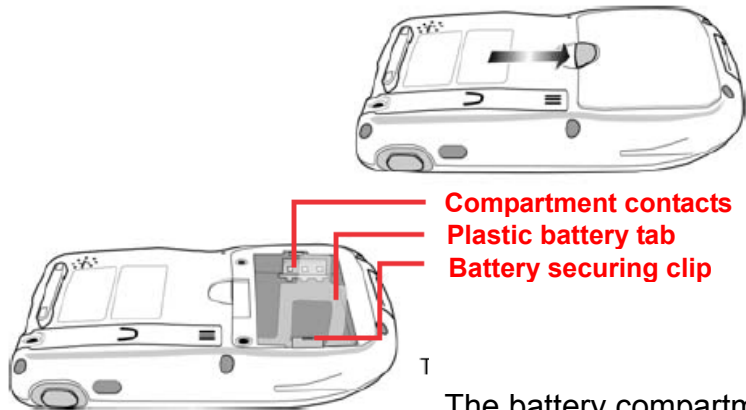
Rear View



- | | |
|---|--|
| 9 Battery compartment | 15 Memory card slot |
| 10 Battery Compartment release latch | 16 Barcode scanner window |
| 11 Reset button | 17 Earphone jack |
| 12 Handstrap | 18 Stylus |
| 13 Speaker | 19 Right scanner trigger button |
| 14 Strap holder | 20 Infrared (IR) port |

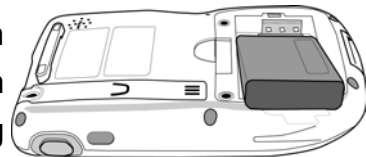
Installing the Battery

1. Open the battery compartment by pushing the latch in the direction of the arrow and lifting up.

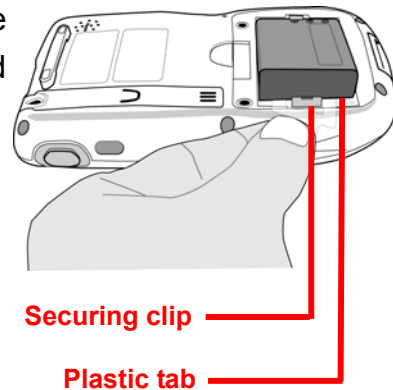


The battery compartment is displayed:

2. Position the battery pack, making sure the battery contacts are aligned with the contacts in the compartment and the battery is placed on top of the plastic tab, as shown in the following illustration.



3. Slide the battery pack into the battery bay while simultaneously pulling the plastic tab and securing clip until the battery clicks into place.



4. Replace the battery compartment cover.

Keypads and Function Buttons

When the Function button is pressed, an icon appears in the operating system.



- | | | | | | |
|-----------|--|---|-----------|--|--|
| 1 | | Turns the PA600II ON and OFF. | 11 | | Function keys |
| 2 | | Number 1, Left soft key | 12 | | Tab, Windows key opens |
| 3 | | Alphanumeric 2, a, b, c, Up key | 13 | | Alphanumeric 7, p, q, r, s, brightness - |
| 4 | | Alphanumeric 3, d, e, f, Right soft key | 14 | | Alphanumeric 8, t, u, v, Down key |
| 5 | | Enter key, OK | 15 | | Alphanumeric 9, w, x, y, z, brightness + |
| 6 | | Back space, Escape key | 16 | | Alpha |
| 7 | | Alphanumeric 4, g, h, i, Left key | 17 | | Asterisk, Illuminates keypad |
| 8 | | Alphanumeric 5, j, k, l | 18 | | Number 0, space |
| 9 | | Alphanumeric 6, m, n, o, Right key | 19 | | Period, Pound |
| 10 | | Up button | 20 | | Down Button |