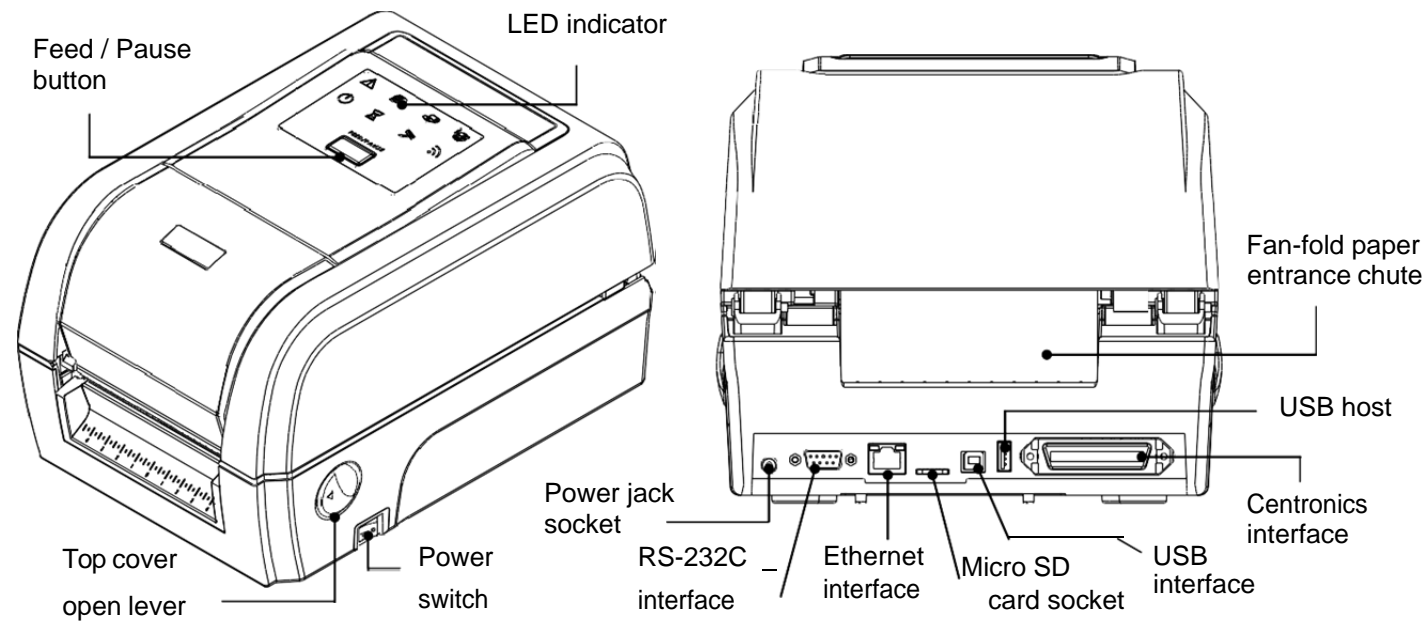
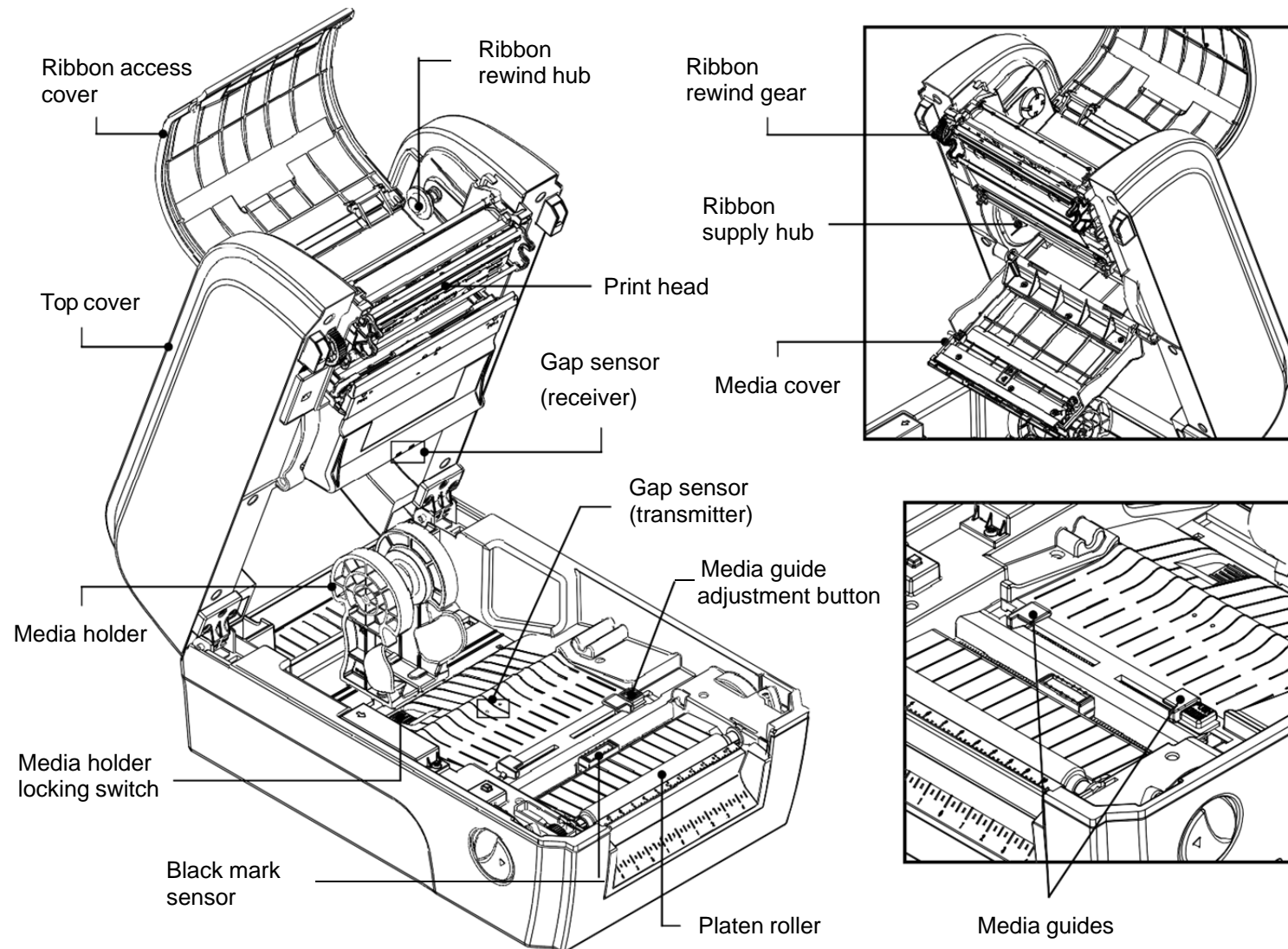


WPL308 Quick Start Guide

Printer Overview



Note: The interface picture here is for reference only. Please refer to the product specification for the interfaces availability.



Loading the Ribbon



<p>(1) Open the printer's top cover by pulling the top cover open levers located on each side of the printer and lifting the top cover to the maximum open angle.</p>	<p>(2) Open the ribbon access cover and the media cover.</p>	<p>(3) Insert the ribbon spindle into the ribbon core.</p>
<p>(4) Install the ribbon right side onto the supply hub first then align the notches on the left side and mount onto the spokes. Note: The yellow part of spindle is in left side.</p>	<p>(5) Insert the rewind spindle into the paper core.</p>	<p>(6) Install the paper core right side onto the rewind hub first then align the notches on the left side and mount onto the spokes. Note: The yellow part of spindle is in left side.</p>
		<p>* Loading Path for Ribbon</p>
<p>(7) Stick the ribbon onto the ribbon rewind paper core.</p>	<p>(8) Turn the ribbon rewind gear until the ribbon plastic leader is thoroughly wound. Close the ribbon access cover and the top cover.</p>	

Loading the Media

(1) Open the printer top cover by pulling the tabs located on each side towards the front of the printer, then lift the top cover to the maximum open angle.

(2) Separate and hold open the media holders.

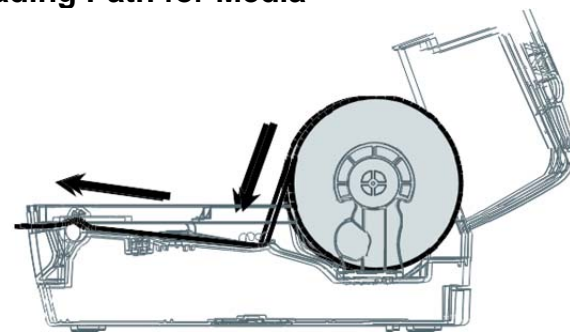
(3) Place the roll between the holders and close them onto the core.

(4) Place the paper, printing side face up, through the media sensor and place the label leading edge onto the platen roller.

(5) Move the media guides to fit the label width by pushing the media guide adjustment button.

(6) Close the top cover gently.

* Loading Path for Media



(7) Use "Diagnostic Tool" to set the media sensor type and calibrate the selected sensor. (Start the "Diagnostic tool" → Select the "Printer Configuration" tab → Click the "Calibrate Sensor" button) Please refer to the diagnostic utility quick start guide for more information.

Note:
Please calibrate the gap/black mark sensor when changing the media.

LED Indicators

LED	Status	Indication
	On	Other errors
	On	Out of paper
	Blinking	Paper jam
	On	Out of ribbon
	Blinking	Ribbon near end
	On	Print head open

LED	Status	Indication
	On	Printer is ready
	Blinking	Pause
	On	Erasing memory
	Blinking	Downloading file
	Blinking	Need to clear print head
	Blinking	RF communication

Button Functions

- (1) Feed labels**
When the printer is ready, press the button to feed one label to the beginning of next label.
- (2) Pause the printing job**
When the printer is printing, press the button to pause a print job. When the printer is paused the power LED will blink green. Press the button again to continue the printing job.

Diagnostic Tool

The Diagnostic Utility is a toolbox that allows users to explore the printer's settings and status; change printer settings; download graphics, fonts, and firmware; create printer bitmap fonts; and to send additional commands to the printer. Using this convenient tool, you can explore the printer status and settings and troubleshoot the printer.

Start the Diagnostic Tool:

- Double click on the Diagnostic tool icon **DiagTool.exe** to start the software.
- There are four features (Printer Configuration, File Manager, Bitmap Font Manager, Command Tool) included in the Diagnostic utility.

Features tab

Printer functions

Printer Status

Printer setup

Interface

(3) The detail functions in the Printer Function Group are listed as below.

Printer Function	Function	Description
Calibrate Sensor	Calibrate Sensor	Calibrate the sensor specified in the Printer Setup group media sensor field
Ethernet Setup	Ethernet Setup	Setup the IP address, subnet mask, gateway for the on board Ethernet
RTC Setup	RTC Setup	Synchronize printer Real Time Clock with PC
Factory Default	Factory Default	Initialize the printer and restore the settings to factory default
Reset Printer	Reset Printer	Reboot printer
Print Test Page	Print Test Page	Print a test page
Configuration Page	Configuration Page	Print printer configuration
Dump Text	Dump Text	To activate the printer dump mode
Ignore AUTO.BAS	Ignore AUTO.BAS	Ignore the downloaded AUTO.BAS program
Exit Line Mode	Exit Line Mode	Exit line mode
Password Setup	Password Setup	Set the password to protect the settings

* For more information and features about this printer, please refer to the User's Manual inside the CD disk.
* Specifications, accessories, parts and programs are subject to change without notice.